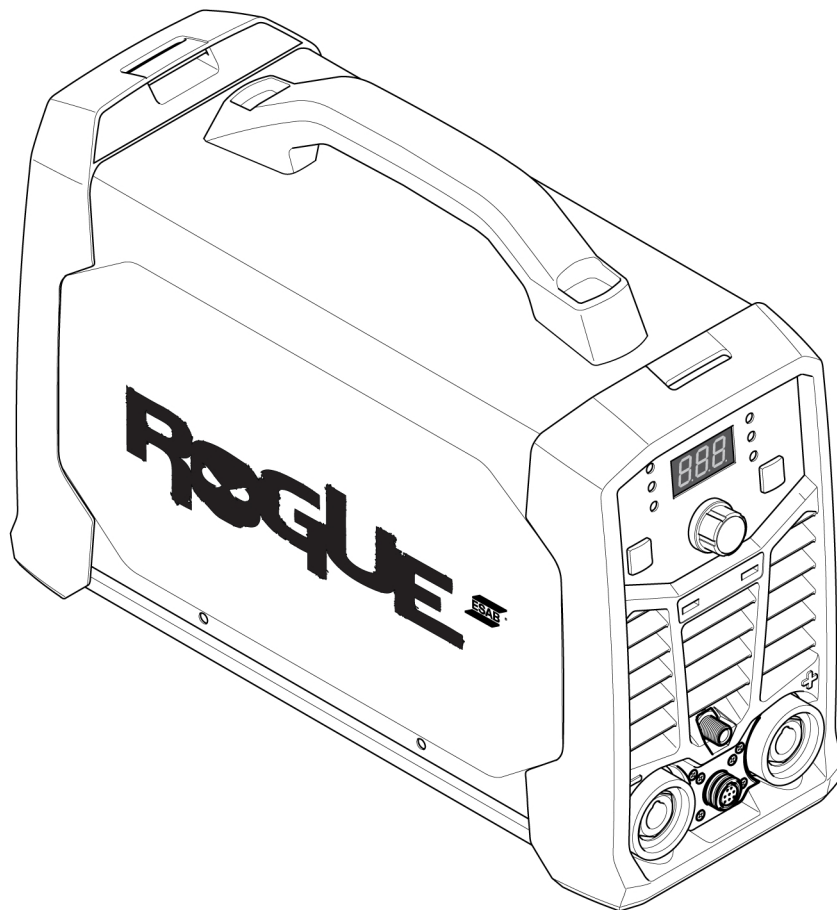


Rogue

***ET 181iP, ET 201iP,  
ET 201iP PRO, ET 208iP***



**Spare parts list**

<b>Ordering no.</b>	<b>Denomination</b>	<b>Notes</b>
0705 002 005	Rogue ET 208iP	China
0705 002 011	Rogue ET 181iP	Europe, MEA
0705 002 028	Rogue ET 181iP	SEA
0705 002 010	Rogue ET 201iP PRO	Europe
0705 002 013	Rogue ET 201iP	India
0705 002 015	Rogue ET 201iP PRO	MEA
0705 002 025	Rogue ET 201iP PRO	SEA
0705 002 023	Rogue ET 201iP PRO	NAM
0705 002 020	Rogue ET 201iP PRO	Mexico
0448 524 001	Instruction manual	Rogue ET 181iP
0448 525 001	Instruction manual	Rogue ET 201iP PRO
0448 683 001	Instruction manual	Rogue ET 201iP PRO, NAM
0448 687 001	Instruction manual	Rogue ET 201iP, India

Spare parts may be ordered through your nearest ESAB dealer, see [esab.com](http://esab.com). When ordering, please state product type, serial number, denominations and ordering numbers according to the spare parts list. This facilitates dispatch and ensures correct delivery.

Maintenance and repair work should be performed by an experienced person, and electrical work only by a trained electrician. Use only recommended spare parts.

For accessories to the product, see the instruction manual.

The three last digits in the document number of the manual show the version of the manual. Therefore they are replaced with \* here. Make sure to use a manual with a serial number or software version that corresponds with the product, see the front page of the manual.

TABLE OF CONTENTS

---

- 1 SPARE PARTS ..... 4**
- 1.1 Housing module ..... 4**
- 1.2 Connection parts ..... 6**
- 1.3 User interface ..... 9**

# 1 SPARE PARTS

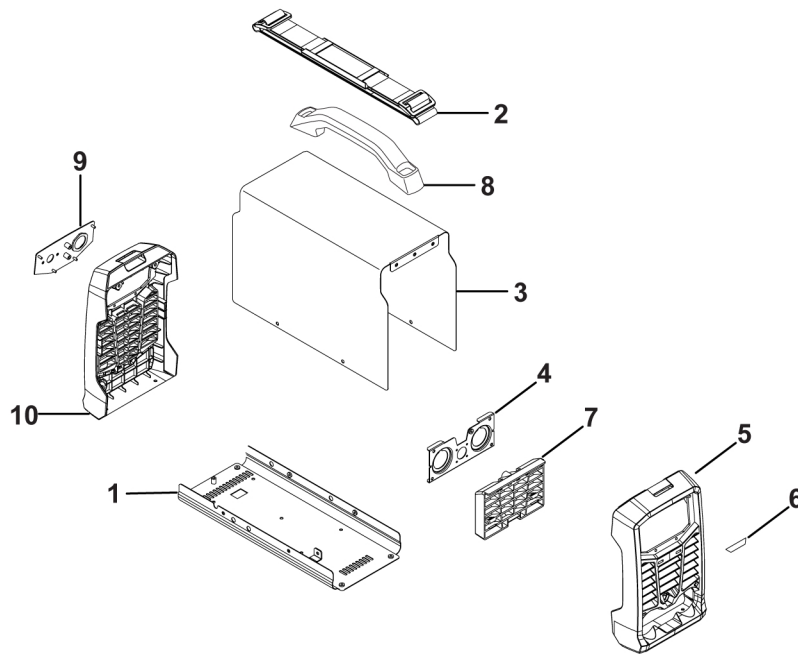
## 1.1 Housing module

C = Component designation in the circuit diagram					
Item	Qty	Ordering no.	Denomination	Notes	C
1	1	0464 752 206	Base panel with rating plate	ET 181iP CE, MEA	
		0464 752 207		ET 201iP PRO CE, SEA, MEA	
		0464 752 210		ET 201iP PRO NAM	
		0464 752 211		ET 201iP PRO Mexico	
		0464 752 212		ET 201iP India	
		0464 752 328	Base panel without rating plate	ET 208iP China	
2	1	0464 670 003	Belt		
3	1	0464 752 203	Case	ET 181iP CE, MEA ET 201iP PRO CE, SEA, MEA	
		0464 752 204		ET 201iP PRO NAM, Mexico	
		0464 752 348		ET 201iP India	
		0464 752 341		ET 208iP China	
4	1	0464 670 010	Output retaining plate		
5	1		Front plastic panel	Rogue ET, See item 102	
6	1		Label	Rogue ET, See item 102	
7	1	0464 670 011	Louver		
8	1	0464 670 007	Handle		
9	1		Fixed plate on back panel	See item 101	
10	1		Plastic back assembly	See item 101	

Item	Ordering no.	Denomination	Notes
101	0464 672 882	Back plastic panel	Including items 9 and 10. ET 201iP PRO NAM, Mexico
	0464 672 885		Including items 9 and 10. ET 201iP India
	0464 672 883		Including items 9 and 10. ET 201iP PRO CE, SEA, MEA
	0464 672 884		Including items 9 and 10. ET 181iP CE

1 SPARE PARTS

Item	Ordering no.	Denomination	Notes
102	0464 752 227	Front plastic panel	Including items 5 and 6. ET 181iP CE, MEA
	0464 752 228		Including items 5 and 6. ET 201iP India
	0464 752 229		Including items 5 and 6. ET 201iP PRO CE, MEA, SEA, NAM, Mexico
	0464 752 230		Including items 5 and 6. ET 208iP China



## 1.2 Connection parts

<b>C = Component designation in the circuit diagram</b>					
<b>Item</b>	<b>Qty</b>	<b>Ordering no.</b>	<b>Denomination</b>	<b>Notes</b>	<b>C</b>
1	1	0464 673 007	EMC filter board	ET 201iP PRO CE, SEA, MEA	
		0464 673 001		ET 201iP PRO NAM, Mexico	
		0464 673 002		ET 181iP CE, ET 201iP India	
2	1	0464 674 002	Cable gland	Rogue ET	
		0464 752 284		ET 201iP PRO NAM, Mexico	
3	1	0464 674 003	Fan		
4	1	0464 670 006	Hall sensor with harness		
5	1	0464 676 004	IGBT inverter board	ET 181iP CE	
		0464 676 030		ET 201iP PRO CE, MEA	
		0464 676 017		ET 201iP PRO NAM, Mexico	
		0464 752 336		ET 201iP India, ET 208iP China	
6	1	0464 670 008	Movement bracket		
7	1	0464 676 023	PFC board	Rogue PRO	
8	1	0464 674 008	PFC electrical inductance	Rogue PRO	
9	1	0464 674 009	Mains cable	ET 201iP India, ET 201iP Pro MEA	
		0464 674 011		ET 181iP, 201iP PRO CE, ET 201iP PRO SEA	
		0464 674 012		ET 201iP PRO NAM, Mexico	
		0464 752 190		ET 208iP China	
		0464 752 337		ET 201iP India	
		0464 752 338		ET 201iP PRO MEA	
10	2	0464 671 004	Quick connector (OKC)		
11	1	0464 674 013	Mains switch 0-1		
12	1	0464 670 012	Wind deflector		
13	1	0464 676 005	High frequency board	See item 201	
14	1		Sleeve socket plate with sticker	See item 202	
15	1	0464 676 032	Connection cable between main PCB and Front control PCB		
16	1	0464 752 205	Argon gas connection	ET 201iP PRO NAM	
		0464 671 006		ET 181iP, 201iP PRO CE, SEA, MEA, India, China	
17	1	0464 674 017	Grounding strip		

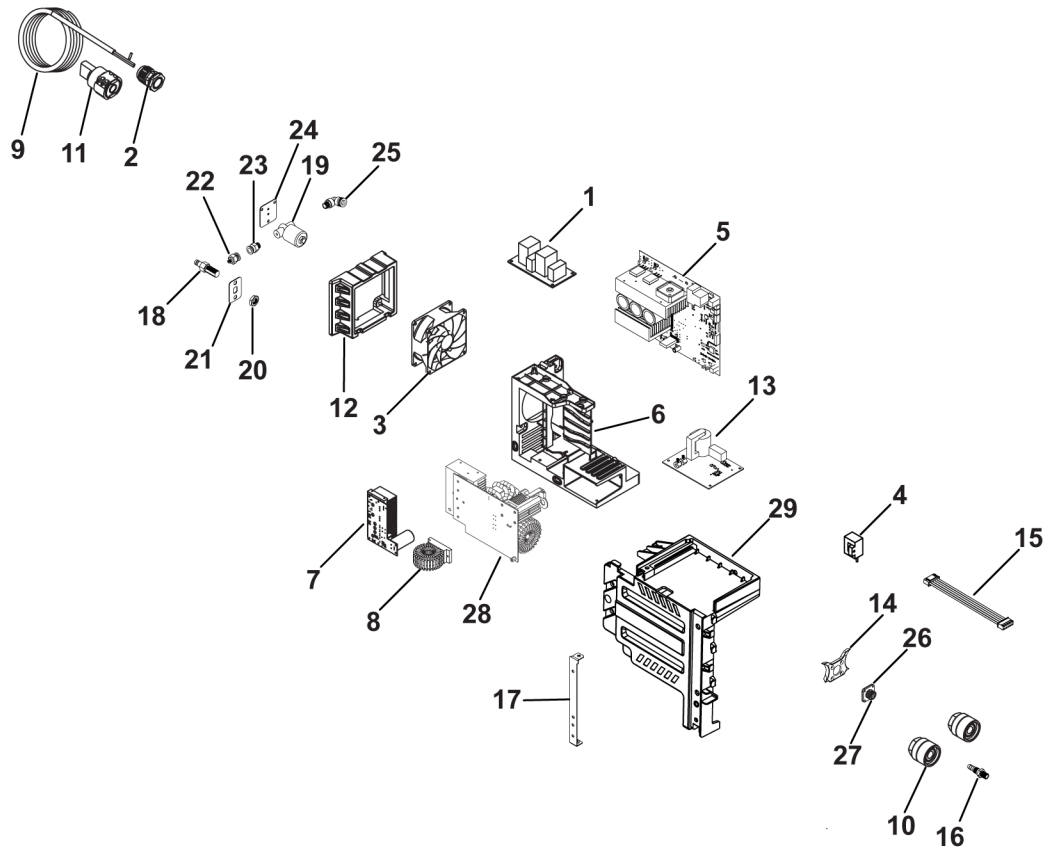
1 SPARE PARTS

<b>C = Component designation in the circuit diagram</b>					
<b>Item</b>	<b>Qty</b>	<b>Ordering no.</b>	<b>Denomination</b>	<b>Notes</b>	<b>C</b>
18	1	0464 671 007	Gas connector	ET 181iP, 201iP PRO CE, SEA, MEA, India	
		0464 676 016		ET 201iP PRO NAM, Mexico	
		0464 752 333		ET 208iP China	
19	1	0464 674 018	Valve wiring harness		
20	1	0464 676 024	Locking nut	ET 201iP PRO NAM, Mexico	
21	1	0464 676 025	Holding plate for gas connector	ET 201iP PRO NAM, Mexico	
22	1	0464 676 026	Gas connector		
23	1	0464 676 027	Gas connector		
24	1	0464 676 028	Gas valve holding plate		
25	1	0464 676 031	Gas connector		
26	1		Aviation socket harness	See item 202	
27	1		Aviation socket washer	See item 202	
28	1		Rectifier plate	See item 201	
29	1		Arcing plate holder	See item 201	

<b>Item</b>	<b>Ordering no.</b>	<b>Denomination</b>	<b>Notes</b>
201	0464 671 886	Rectifier board kit	Including items 13, 28 and 29.
202	0464 671 881	Sleeve socket 8-pin with harness set	Including items 14, 26 and 27.

1 SPARE PARTS

---

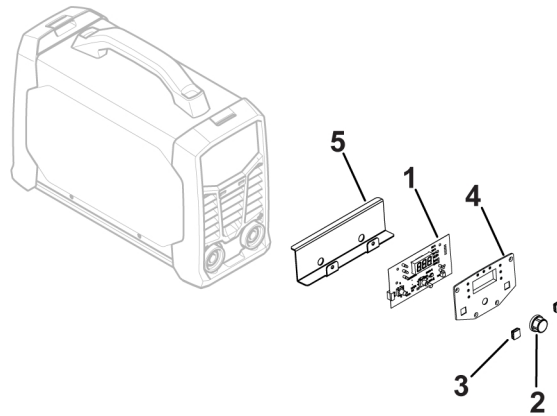


### 1.3 User interface

**C = Component designation in the circuit diagram**

Item	Qty	Ordering no.	Denomination	Notes	C
1	1		Digital display board	See item 301	
2	1	0464 672 004	Potentiometer knob	See item 301	
3	2		Key rubber sleeve	See item 301	
4	1		Front mounting plate with labels	See item 301	
5	1		Front shield plate	See item 301	

Item	Ordering no.	Denomination	Notes
301	0464 752 214	Digital display board	Including items 1, 2, 3, 4 and 5. ET 181iP CE, MEA, SEA
	0464 752 215		Including items 1, 2, 3, 4 and 5. ET 201iP PRO CE, MEA, SEA, NAM, Mexico; ET 201iP India
	0464 752 330		Included items 1, 2, 3, 4 and 5. ET 208iP China





# A WORLD OF PRODUCTS AND SOLUTIONS.



For contact information visit [esab.com](http://esab.com)

ESAB AB, Lindholmsallén 9, Box 8004, 402 77 Gothenburg, Sweden, Phone +46 (0) 31 50 90 00

[manuals.esab.com](http://manuals.esab.com)

